

Installation instructions

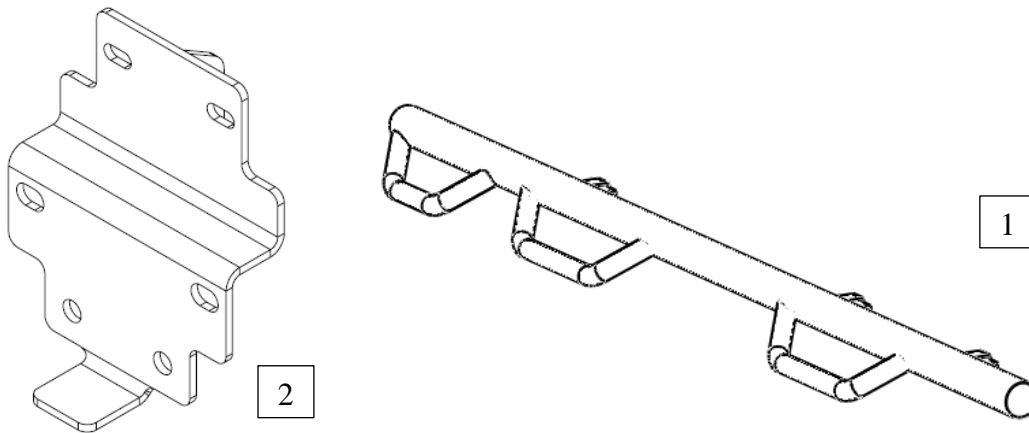
DOMINATOR II

2015 FORD F150 SUPER CREW

D362551

Do not attempt to install this product on any vehicle other than the one listed above!

PARTS LIST				
item	Qty.	Part No	Description	Torque
1	2	D362551	Side Step	
2	6	D241550	Brackets	
3	18		M8 Hex nut	20Lb
4	18		5/16" Flat washer	
5	18		5/16" Spring lock washer	
6	12		3/8" Spring lock washer	
7	12		3/8" Hex nut	
8	12		3/8" Flat washer	
9	12		3/8"x 1 1/4" Hex bolt	30Lb



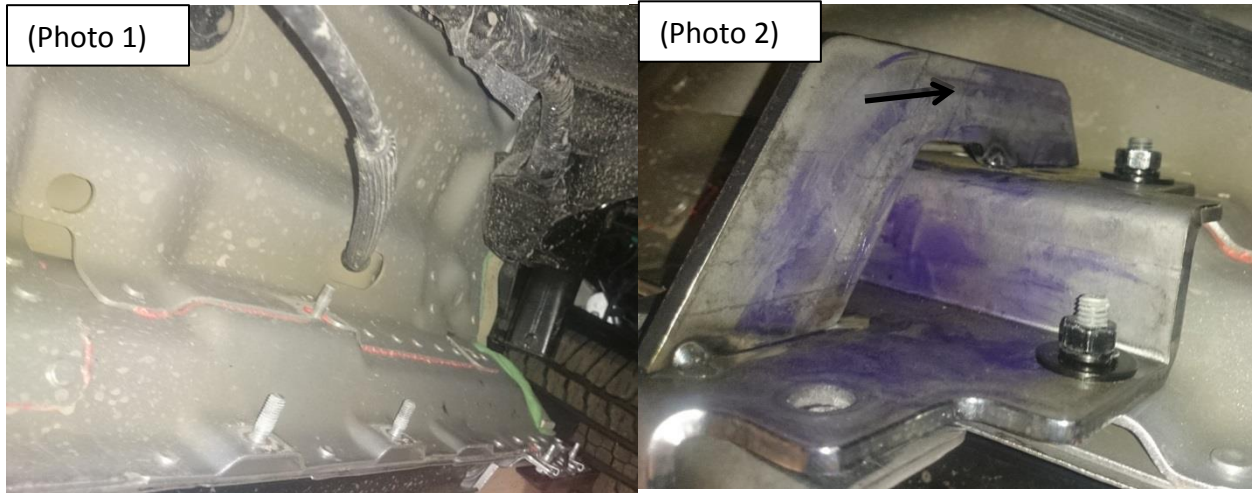
Tool Required:

- A. 1/2" & 9/16" Wrench
- B. Ratchet
- C. Ratchet extension
- D. 1/2" & 9/16" socket

Read the installation instructions completely and verify that all of the parts listed are accounted for. If you have defective, missing or damaged parts or need assistance, please contact *Go Rhino Products* for fast,

friendly customer service at: 1-888-427-4466 or email: warranty@gorhino.com

1. Measure from the front fender bolt rearward approximately 14", **(Photo 1)** and locate the three M8 welded bolts, place the rubber gasket and then install the bracket using three 5/16" flat washers, three 5/16" spring lock washers and three M8 hex nut. Leave the nuts loose for final adjustment. **(Photo 2)**



2. Repeat step 1 for center and rear brackets. **(Photo 3)**



3. Use six 3/8" x 1 1/4" bolts, six 3/8" flat washers, six 3/8" spring lock washers and six 3/8" hex nuts (two per bracket)(**Photo 4**) to attach de Dominator II to the brackets. Leave the nuts loose for final adjustment.



4. Align the side steps with the vehicle and tighten all bracket and side step nuts and bolts. (**Photo 5**)



5. Repeat the above steps to install the driver side brackets and side step.

Remember to check and retighten the nuts and bolts every six months.