

PART NUMBER

TSS-106-40 & -47

BEFORE YOU BEGIN

APPLICATION

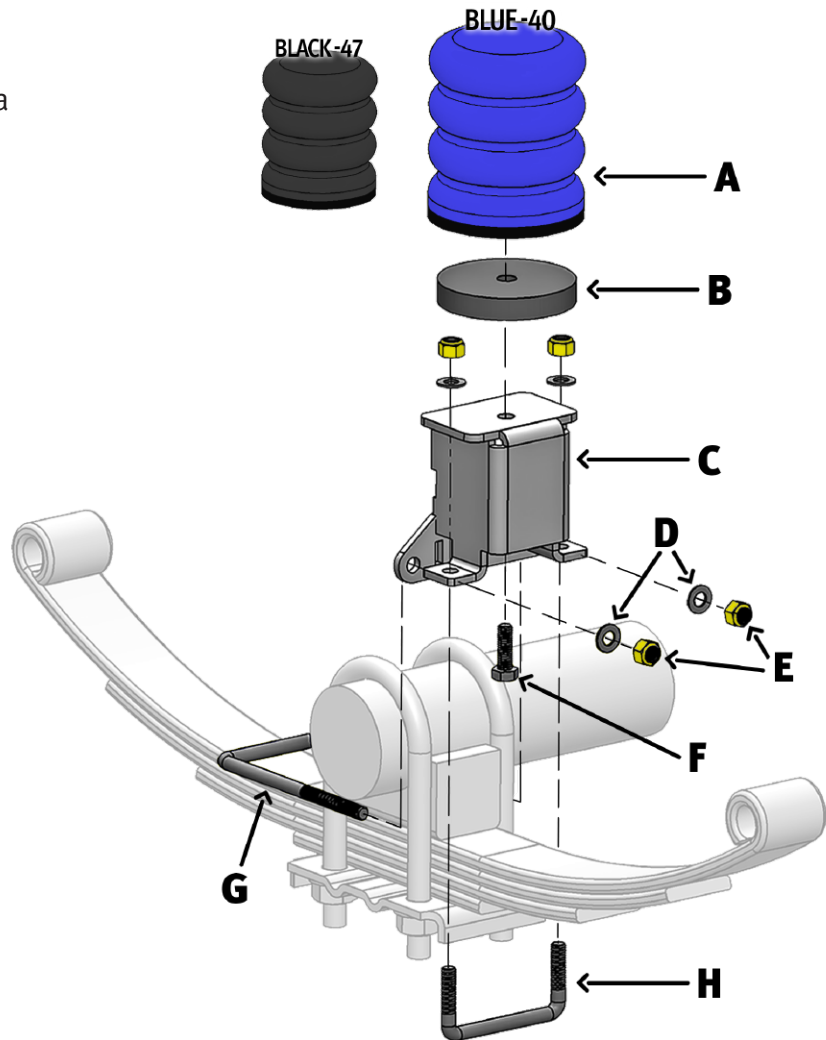
This part will work on any trailer using a spring-under-axle leaf suspension.

TOOLS REQUIRED

- › Floor jack
- › Safety jack stands
- › Ratchet and sockets
- › Torque wrench

PARTS LIST

Item	Part #	Description	QTY
A	511453	SumoSprings Blue -40	2
	511454	SumoSprings Black -47	2
B	512116	3" x 1/2" spacer	6
C	512128	Spring-under-axle bracket	2
D	112209	5/16" washer	8
E	112208	5/16" lock nut	8
F	512330	M8x30mm carriage bolt	2
	512333	M8x50mm carriage bolt	2
	512249	M8x55mm carriage bolt	2
G	512339	Long U-bolt	2
H	512338	Short U-bolt	2



PASSENGER SIDE IDENTICAL INSTALLATION

Part Number: TSS-106-40 & -47

› Product Line: TRAILER SUMOSPRINGS

Page 1

SuperSprings International, Inc.

505 Maple Avenue
Carpenteria, CA 93013

Installation Support

+1 (800) 898-0705
support@supersprings.com

supersprings.com

SAFETY NOTICE: We recommend installation be done by a professional or persons with sound mechanical knowledge.

WARNING: These instructions are a general guide for installation. SuperSprings International, Inc. assumes no liability for the actual installation process. Consumers and installers should apply common automotive safety practices when raising and working on any vehicle. **Do not put yourself in a position where, if the vehicle were to move unexpectedly, you may be injured.** SuperSprings' products are designed to improve vehicle ride quality. Do not load any vehicle beyond the manufacturer's specifications.

Never exceed the manufacturer's Gross Vehicle Rating (GVWR) located on your vehicles identification tag.

BEFORE INSTALLATION: Ensure the vehicle is on a level surface, the parking brake is ON, with the ignition OFF, and place blocks in front of and behind the front tires to prevent the vehicle from moving.

DURING AND/OR AFTER INSTALLATION: Ensure emergency brake cables are not touching the SuperSprings. Secure any cables out of the way with zip ties or by re-routing. **Ensure all A/C lines, brake cables, and frame are clear of contact or interference.**

PART NUMBER

TSS-106-40 & -47

IMPORTANT NOTICE: Your part may have been loosley preassembled to show the final product as it will be once installed on your vehicle. Please disassemble the product before proceeding to the installation.

INSTALLATION

1. Position the trailer on a level surface so that the frame is parallel to the ground. Place the mounting bracket onto the side of the leaf spring closest to the shackle or center link connection. Measure from the top of the mounting bracket to the bottom of the frame. **DO NOT RAISE THE TRAILER FOR THIS STEP.**
2. Create a combination of the SumoSpring [ITEM A] and between 1-3 of the spacers [ITEM B] that will stack up to a height of 1/4" - 1/2" taller than the measurement from step 1. **This is very important as the Trailer SumoSprings provide the maximum level of vibration reduction and damping with this 1/4" - 1/2" preload.**
3. Using the correct length 8mm bolt [ITEM F] connect the combination of spacers and SumoSpring to the mounting bracket [ITEM C].
4. Raise the trailer so that the axle is separated from the frame just enough to place the SumoSprings with the attached bracket assembly on top of the factory spring.
5. Install bracket with the attached SumoSpring to the factory leaf using the the u-bolts [ITEMS G & H], 5/16" flat washers [ITEM D] and 5/16" lock nuts [ITEM E]. Be careful not to overtighten these to the point of bending of the L-shaped u-bolt. The recommended torque specification is *no more* than 60 in./lbs. (5 ft./lbs.).
6. Repeat steps 3 through 5 at each wheel.
7. Carefully lower the trailer to the ground and ensure all Trailer SumoSprings are engaged.
8. Register the warranty for your SuperSprings International part. A warranty card can be found in the box your part came in.

Part Number: TSS-106-40 & -47

Product Line: TRAILER SUMOSPRINGS

Page 2

SuperSprings International, Inc.

505 Maple Avenue
Carpenteria, CA 93013

Installation Support

+1 (800) 898-0705
support@supersprings.com

supersprings.com

SAFETY NOTICE: We recommend installation be done by a professional or persons with sound mechanical knowledge.

WARNING: These instructions are a general guide for installation. SuperSprings International, Inc. assumes no liability for the actual installation process. Consumers and installers should apply common automotive safety practices when raising and working on any vehicle. **Do not put yourself in a position where, if the vehicle were to move unexpectedly, you may be injured.** SuperSprings' products are designed to improve vehicle ride quality. Do not load any vehicle beyond the manufacturer's specifications.

Never exceed the manufacturer's Gross Vehicle Rating (GVWR) located on your vehicles identification tag.

BEFORE INSTALLATION: Ensure the vehicle is on a level surface, the parking brake is ON, with the ignition OFF, and place blocks in front of and behind the front tires to prevent the vehicle from moving.

DURING AND/OR AFTER INSTALLATION: Ensure emergency brake cables are not touch-ing the SuperSprings. Secure any cables out of the way with zip ties or by re-routing. **Ensure all A/C lines, brake cables, and frame are clear of contact or interference.**

PART NUMBER

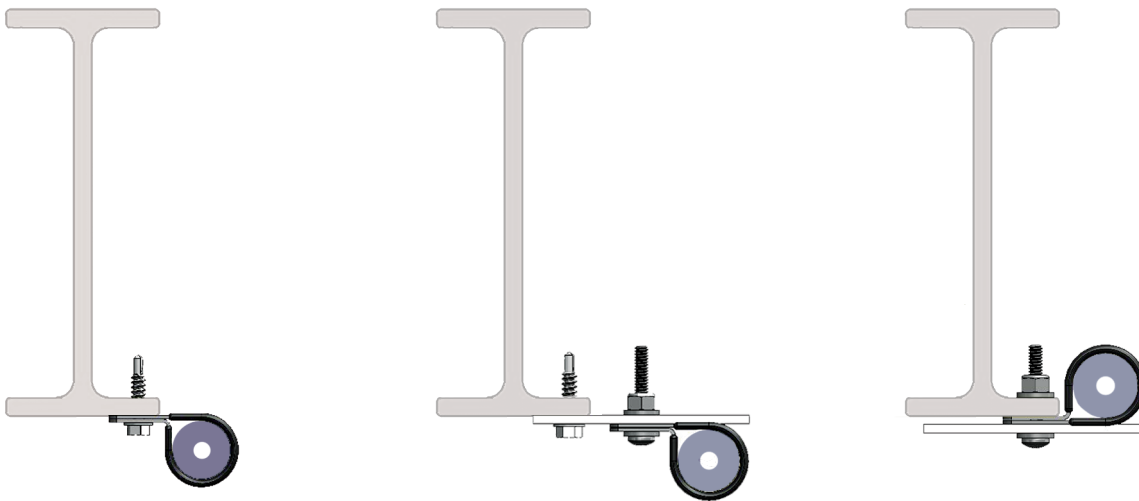
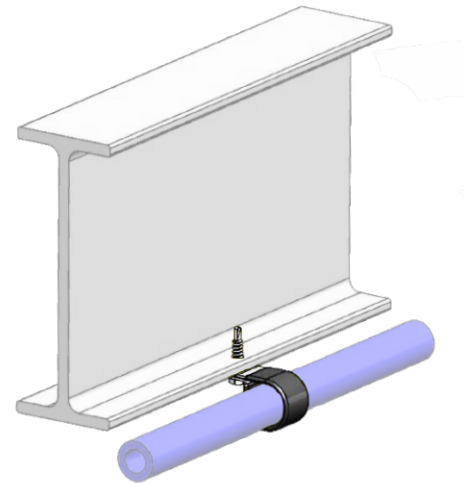
TSS-106-40 & -47

GAS/UTILITY LINE RELOCATION

On some travel trailers there may be a gas or utility line mounted to the lower portion of the frame that needs to be slightly relocated to avoid interference with the SumoSprings installation.

The kit includes hardware to reposition the gas/utility line if needed. One set should be used on each side of each axle to guide the line away from the SumoSprings.

Since there are multiple ways the lines are mounted to the frame, our kit is versatile so that there are multiple ways you can relocate the lines.



EXAMPLES OF THE RELOCATION KIT INSTALLED

Part Number: TSS-106-40 & -47

Product Line: TRAILER SUMOSPRINGS

Page 3

SuperSprings International, Inc.

505 Maple Avenue
Carpenteria, CA 93013

Installation Support

+1 (800) 898-0705
support@supersprings.com

supersprings.com

SAFETY NOTICE: We recommend installation be done by a professional or persons with sound mechanical knowledge.

WARNING: These instructions are a general guide for installation. SuperSprings International, Inc. assumes no liability for the actual installation process. Consumers and installers should apply common automotive safety practices when raising and working on any vehicle. **Do not put yourself in a position where, if the vehicle were to move unexpectedly, you may be injured.** SuperSprings' products are designed to improve vehicle ride quality. Do not load any vehicle beyond the manufacturer's specifications.

Never exceed the manufacturer's Gross Vehicle Rating (GVWR) located on your vehicles identification tag.

BEFORE INSTALLATION: Ensure the vehicle is on a level surface, the parking brake is ON, with the ignition OFF, and place blocks in front of and behind the front tires to prevent the vehicle from moving.

DURING AND/OR AFTER INSTALLATION: Ensure emergency brake cables are not touching the SuperSprings. Secure any cables out of the way with zip ties or by re-routing. **Ensure all A/C lines, brake cables, and frame are clear of contact or interference.**