

**banks**

with Installation Instructions  
**Owner's Manual**

# **Banks Monster<sup>®</sup> Exhaust System**

**2005-2012 Toyota Tacoma 4.0L**

THIS MANUAL IS FOR USE WITH MONSTER EXHAUST SYSTEM 48138

Gale Banks Engineering  
546 Duggan Avenue • Azusa, CA 91702  
(626) 969-9600 • Fax (626) 334-1743

Product Information & Sales: (888) 635-4565  
Customer Support: (888) 839-5600  
Installation Support: (888) 839-2700

**bankspower.com**

# General Installation Practices

Dear Customer,

If you have any questions concerning the installation of your Banks Monster Exhaust System, please call our Technical Service Hotline at (888) 839-2700 between 7:00 am and 4:00 pm (PT). If you have any questions relating to shipping or billing, please contact our Customer Service Department at (888) 839-5600.

Thank you.

1. Before starting work, familiarize yourself with the installation procedure by reading all of the instructions.
2. The exploded view (**Figure 1**) provides only general guidance. Refer to each step and section diagram in this manual for proper instruction.
3. Throughout this manual, the left side of the vehicle refers to the driver's side, and the right side to the passenger's side.
4. Disconnect the negative (ground) cable from the battery (or batteries, if there are two) before beginning work.
5. Route and tie wires and hoses a minimum of 6" away from exhaust heat, moving parts and sharp edges. Clearance of 8" or more is recommended where possible.
6. When raising the vehicle, support it on properly weight-rated safety stands, ramps or a commercial hoist. Follow the manufacturer's safety precautions. Take care to balance the vehicle to prevent it from slipping or

falling. When using ramps, be sure the front wheels are centered squarely on the topsides; put the transmission in park; set the hand brake; and place blocks behind the rear wheels.

**CAUTION! Do not use floor jacks to support the vehicle while working under it. Do not raise the vehicle onto concrete blocks, masonry or any other item not intended specifically for this use.**

**7.** During installation, keep the work area clean. Do not allow anything to be dropped into intake, exhaust, or lubrication system components while performing the installation, as foreign objects will cause immediate engine damage upon start-up.

## Tools Required:

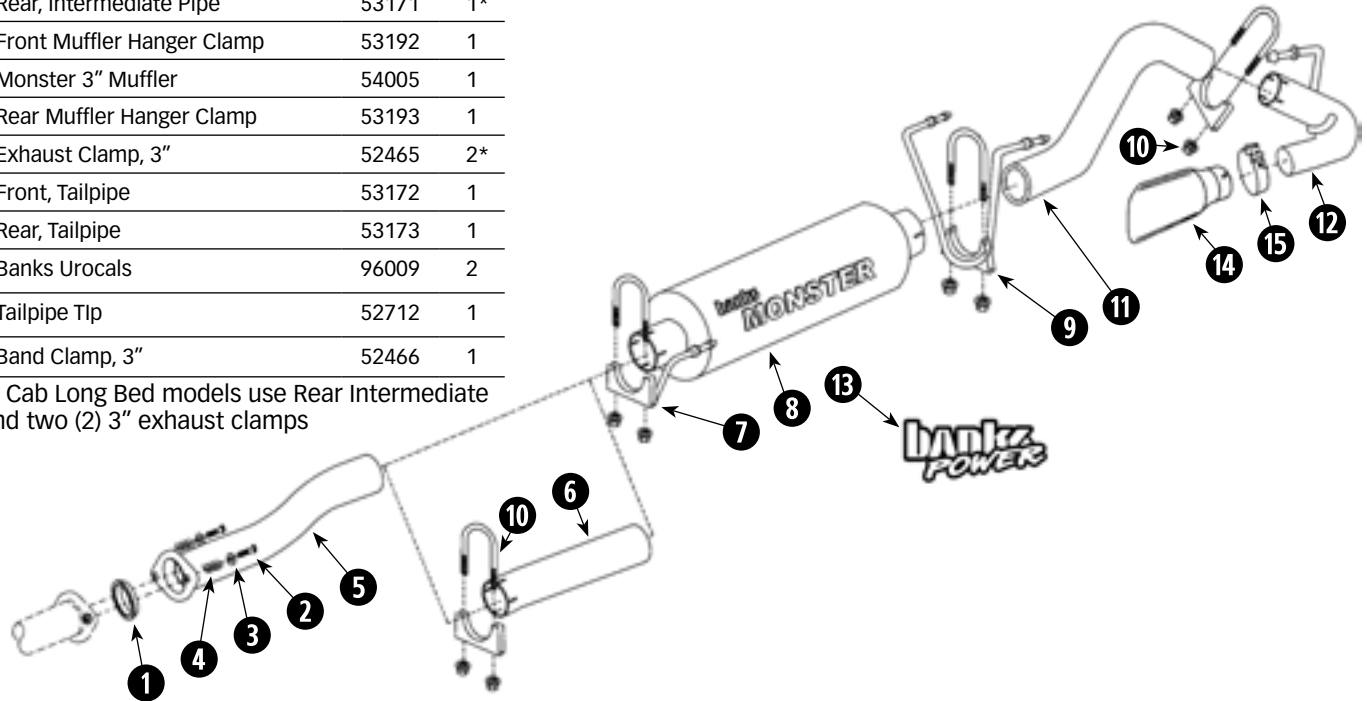
- 1/2" and 3/8" drive ratchets with standard and metric sockets and 1/2" and 3/8" drive extension
- Standard and metric combination or open-end wrenches
- Standard screwdriver
- Clean shop towels or rags
- Pry-bar

## Highly recommended tools and supplies:

- Foot-pound torque wrench
- Penetrating oil or light lubricant spray

Item	Description	Part #	Qty							
1	Conical Gasket	93098	1							
2	M10-1.25x60mm Bolt	91816	2							
3	SAE Washer	91402	2							
4	Exhaust Tension Spring (stock)	-	2							
5	Front, Intermediate Pipe	53170	1							
6	Rear, Intermediate Pipe	53171	1*							
7	Front Muffler Hanger Clamp	53192	1							
8	Monster 3" Muffler	54005	1							
9	Rear Muffler Hanger Clamp	53193	1							
10	Exhaust Clamp, 3"	52465	2*							
11	Front, Tailpipe	53172	1							
12	Rear, Tailpipe	53173	1							
13	Banks Urocals	96009	14	Tailpipe Tip	52712	1	15	Band Clamp, 3"	52466	1
14	Tailpipe Tip	52712	1							
15	Band Clamp, 3"	52466	1							

\* Double Cab Long Bed models use Rear Intermediate pipe and two (2) 3" exhaust clamps



# Monster Exhaust

## SYSTEM INSTALLATION

**1.** Disconnect the negative (ground) cable from the battery (if there is more than one battery, disconnect both negative cables). Secure the cable so it cannot accidentally come in contact with the post.

**2.** Raise the vehicle and support it securely with properly weight-rated safety stands, ramps or a commercial hoist. Take care to balance the vehicle to prevent it from slipping or falling. When using ramps, be sure the wheels are centered squarely on the topsides. Place the transmission in park (automatic), set the parking brake and securely block the wheels that are on the ground.

**CAUTION: DO NOT WORK UNDER ANY VEHICLE SUPPORTED ONLY BY A JACK. SEVERE INJURY MAY RESULT.**

**3.** From under the vehicle remove the factory exhaust starting at the 2-bolt flange in front of the muffler. Remove the two (2) 10mm bolts from the flange and retain the two (2) springs for re-assembly.

*NOTE: Spray lubricant may assist in hanger pin removal.*

**4.** Remove the factory tailpipe hanger pin from the rubber grommet. Remove the dual rear muffler hanger pins from the rubber grommets. Remove the single hanger pin from the front of the muffler. Remove the muffler and tailpipe assembly from the vehicle. Remove the muffler gasket from the factory flange on the y-pipe.

**5.** Install the Banks conical gasket onto the vehicle's 2-bolt flange. Install the Banks Front Intermediate pipe onto the factory 2-bolt intermediate pipe outlet.

**6.** Install the two (2) factory springs onto the supplied 10mm bolt and washer combination. Install the bolt, washer & spring assembly into the 2-bolt flange and retain the Front Intermediate pipe. When Tightening the hardware, tighten the bolt such that 2-threads remain on the bolt before bottoming to the flange. The tension spring will keep the bolt secured (see **Figure 2**).

**7. For Double Cab Long Bed ONLY** Install a 3" exhaust clamp onto the outlet of the Front Intermediate pipe. Install the Rear Intermediate pipe onto the Front Intermediate pipe outlet. Loosely tighten the 3" exhaust clamp.

**8. For Double Cab Long Bed ONLY** Install the single pin hanger clamp onto the outlet of the Rear Intermediate pipe. Insert the hanger pin into the corresponding rubber hanger.

**For All Other Bed Configurations** Install the single pin hanger clamp onto the outlet of the Front Intermediate pipe. Insert the hanger pin into the corresponding rubber hanger.

*NOTE: Once the pipe / muffler has been completely engaged in the slip joint, mark the pipe with scribe or tape for reference when tightening the clamps later in the installation. Mark each slip joint in this fashion.*

Figure 2

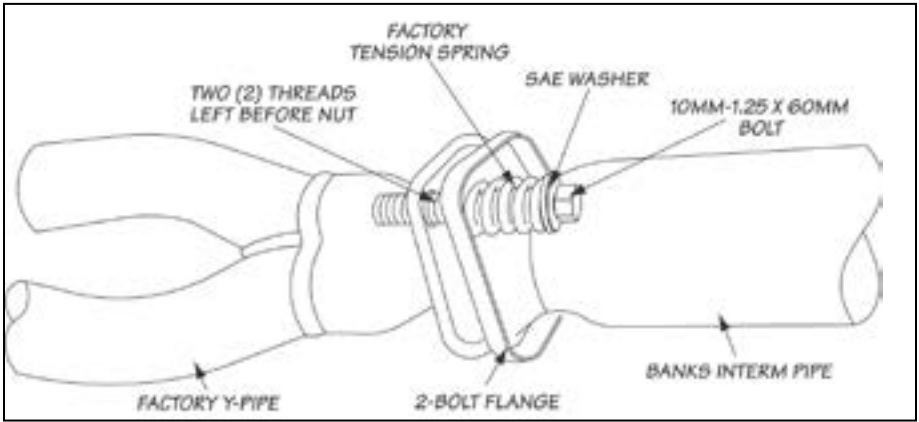
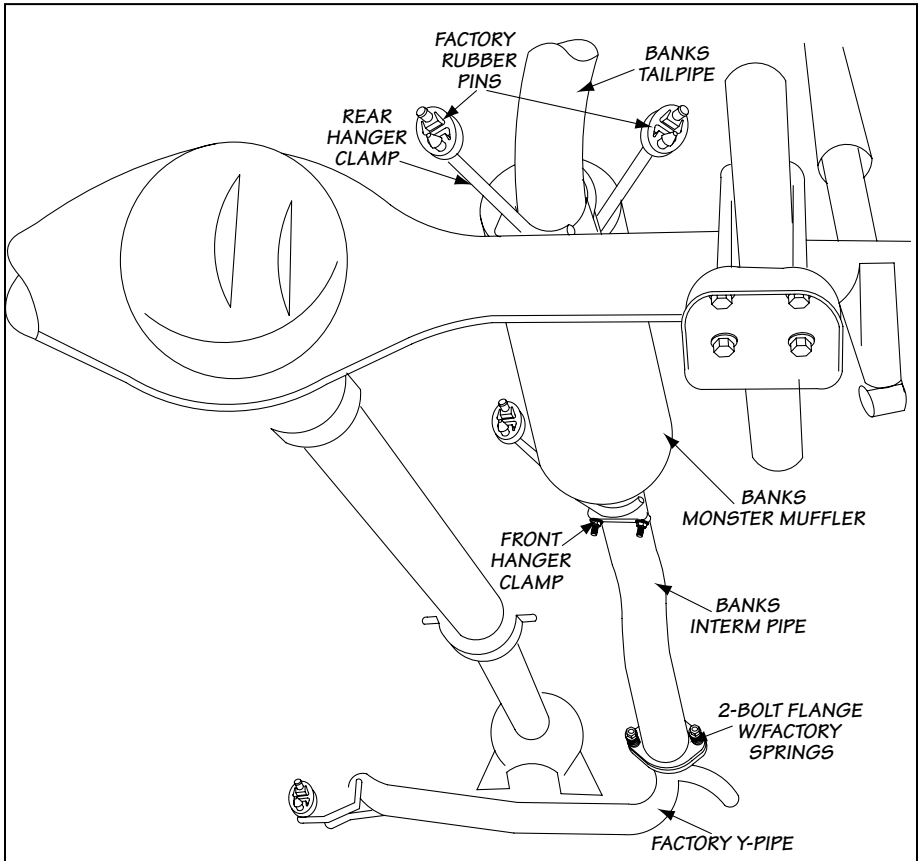


Figure 3



**9. For Double Cab Long Bed ONLY**  
Install the Banks Monster Muffler inlet onto the Rear Intermediate pipe

**For All Other Bed Configurations**  
Install the Banks Monster Muffler inlet onto the Front Intermediate pipe

(Note the inlet labeling of the muffler). Orient the Monster logo such that is visible from the passenger side and *parallel with the frame rail. Align the hanger clamp onto the muffler inlet.*

*NOTE: All clamps should be positioned at the beginning of the slots (on the 1/2 circle punch) and evenly tightened.*

**10.** Install the 3" dual pin hanger clamp onto the Banks Muffler outlet such that the hanger pins are facing rear. Install the two (2) hanger pins into the corresponding vehicle rubber grommets (see **Figure 3**).

**11.** From the vehicle rear, route the Front Tailpipe over the rear end. Install the Front Tailpipe into the Banks Muffler outlet. Lightly tighten the rear muffler hanger clamp to secure the Front Tailpipe (see **Figure 3**).

Install a 3" exhaust clamp onto the Front Tailpipe outlet. Install the Rear Tailpipe into the Front Tailpipe outlet. Loosely tighten the 3" clamp. Start the Rear Tailpipe hanger pin into the corresponding vehicle rubber hanger

**12.** Adjust the Tailpipe Tip 1/2" under the rear fender such that the tip position is aesthetically pleasing.

**13.** With the exhaust positioned properly, begin to tighten the clamps starting with the ones closest to the front of the vehicle and working your way back. Torque the exhaust clamps evenly to 35 ft-lbs. Make sure that each slip is fully inserted (+/- 1/4").

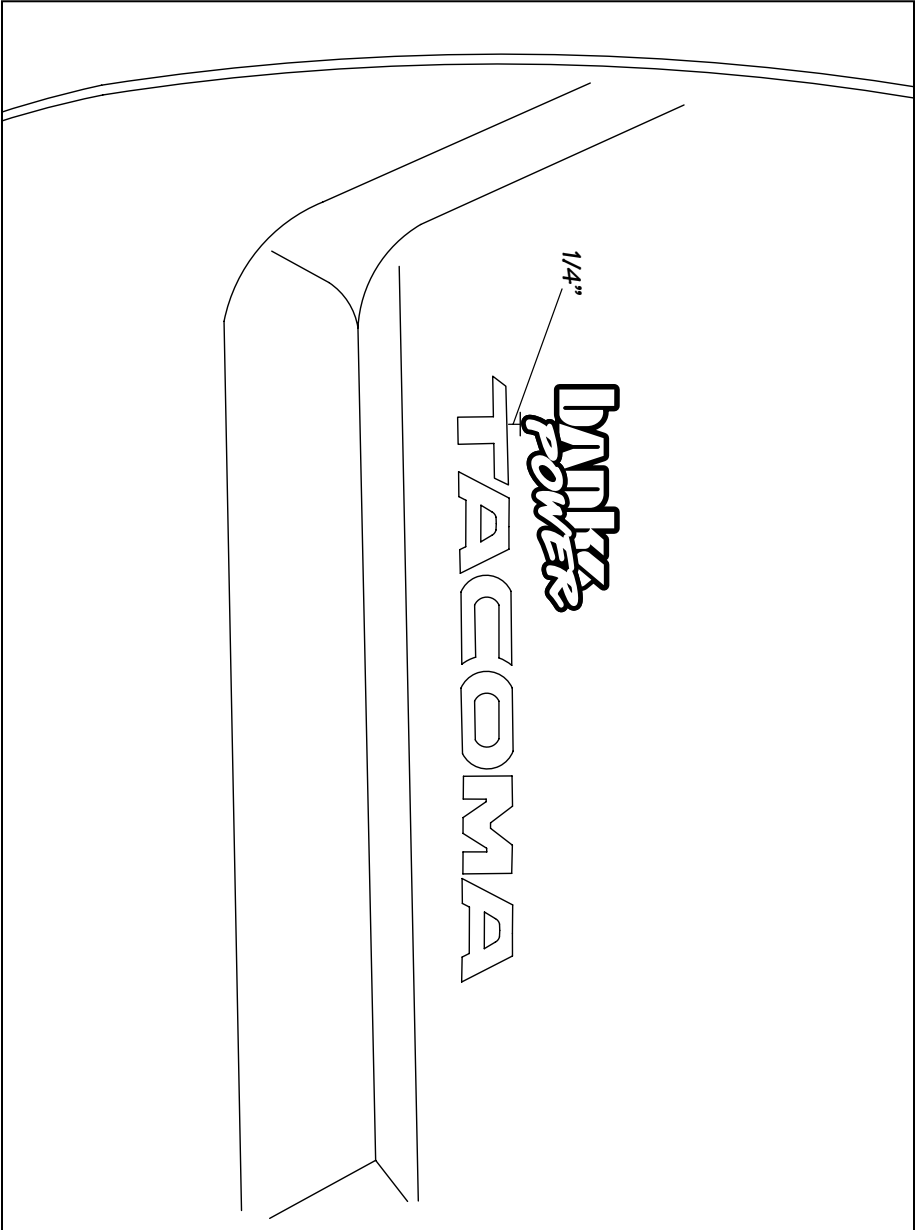
**14.** Remove the protective covering from the tailpipe tip.

**CAUTION: THE PROTECTIVE COVERING MAY IGNITE AND BURN IF NOT REMOVED PRIOR TO RUNNING THE ENGINE.**

**15.** Your system includes two (2) Banks Power logos designed to complement the Toyota Tacoma emblems on the vehicles front doors. Use the provided measurements for a clean factory look (see **Figure 4**).

**16.** Re-connect the negative battery cable. Start the engine and listen for exhaust leaks. Tighten the exhaust clamps as necessary. Whenever possible, tack weld slip connections to prevent disengagement is recommended. The Banks Monster Exhaust installation is now complete.

Figure 4



Gale Banks Engineering  
546 Duggan Avenue • Azusa, CA 91702  
(626) 969-9600 • Fax (626) 334-1743

Product Information & Sales: (888) 635-4565  
Customer Support: (888) 839-5600  
Installation Support: (888) 839-2700

**bankspower.com**